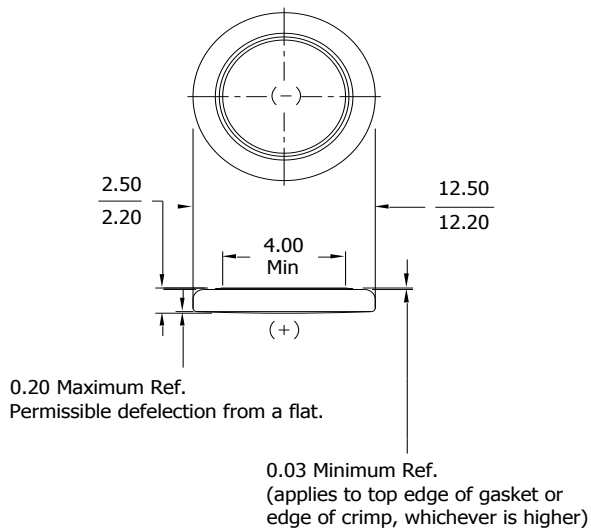


ENERGIZER NO. BR1225

LITHIUM COIN



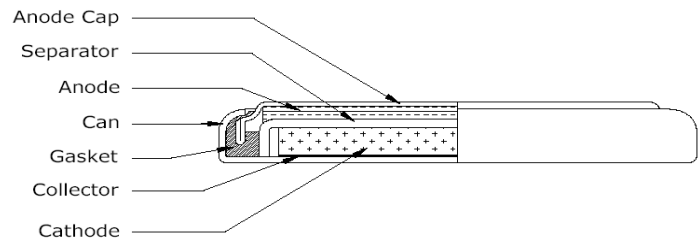
Industry Standard Dimensions (mm)



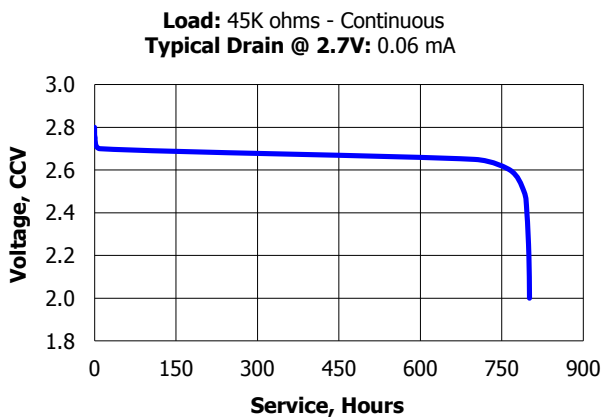
Specifications

Classification:	"Lithium Coin"
Chemical System:	Lithium / Poly-Carbon Monofluoride (Li/CFx)
Designation:	IEC-BR1225
Nominal Voltage:	3.0 Volts
Typical Capacity:	48 mAh (to 2.0 volts) (Rated at 45K ohms at 21°C)
Typical Weight:	0.8 grams
Typical Volume:	0.3 cubic centimeters
Max Rev Charge:	1 microampere
Energy Density:	174 milliwatt hr/g, 432 milliwatt hr/cc

Cross Section



Typical Discharge Characteristics



Simulated Application test

Typical Performance at 21°C (70°F)

Schedule:	Typical Drains: at 2.7V (mA)	Load (ohms)	Cutoff 2.0V (hours)
Continuous	0.06	45,000	800

Important Notice

This datasheet contains typical information specific to products manufactured at the time of its publication.
©Energizer Holdings, Inc. - Contents herein do not constitute a warranty.